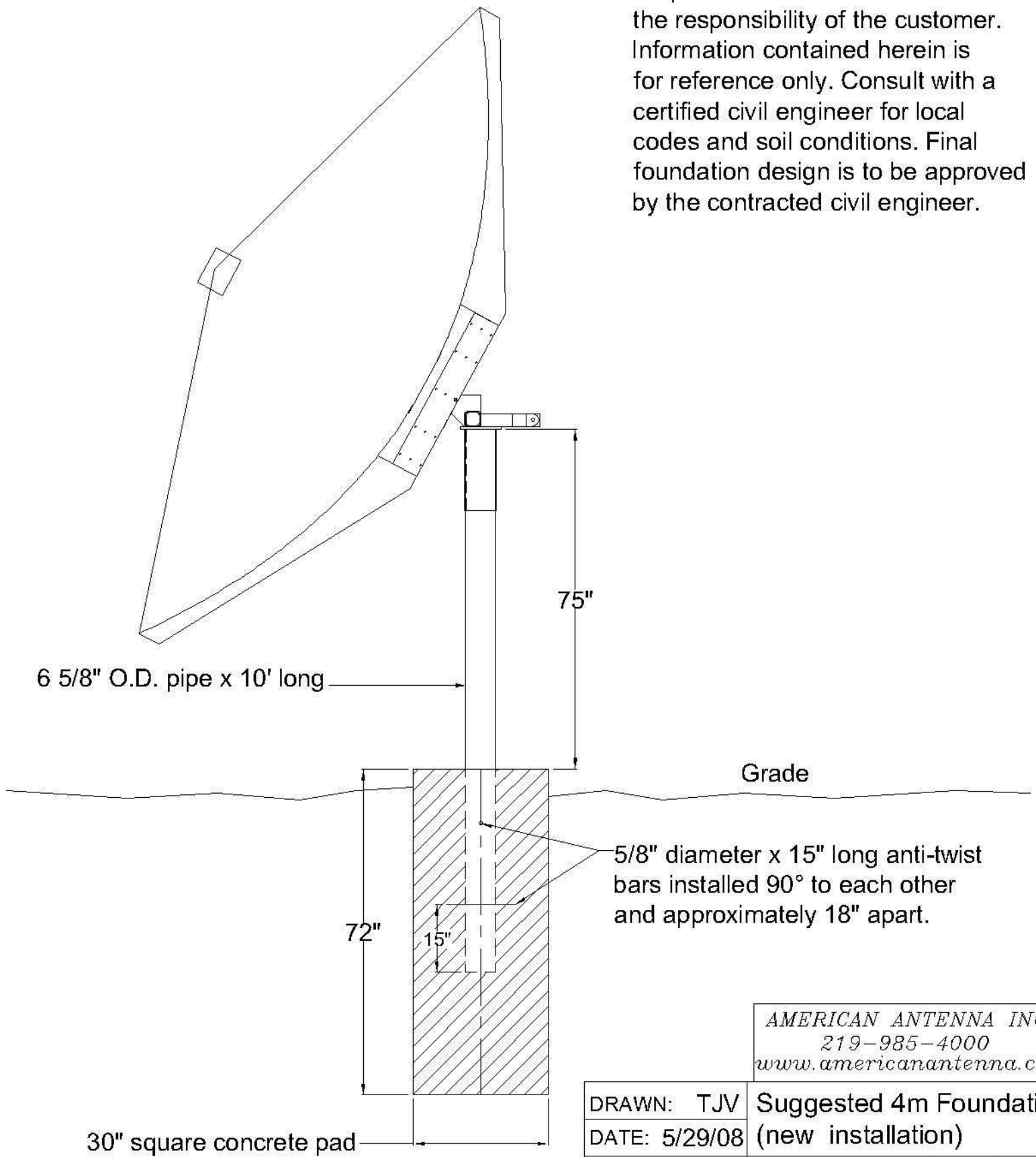


Proper foundation selection is the responsibility of the customer. Information contained herein is for reference only. Consult with a certified civil engineer for local codes and soil conditions. Final foundation design is to be approved by the contracted civil engineer.



AMERICAN ANTENNA INC.
 219-985-4000
 www.americanantenna.com

DRAWN: TJV	Suggested 4m Foundation (new installation)
DATE: 5/29/08	
REV:	DWG. NO. 4-101014