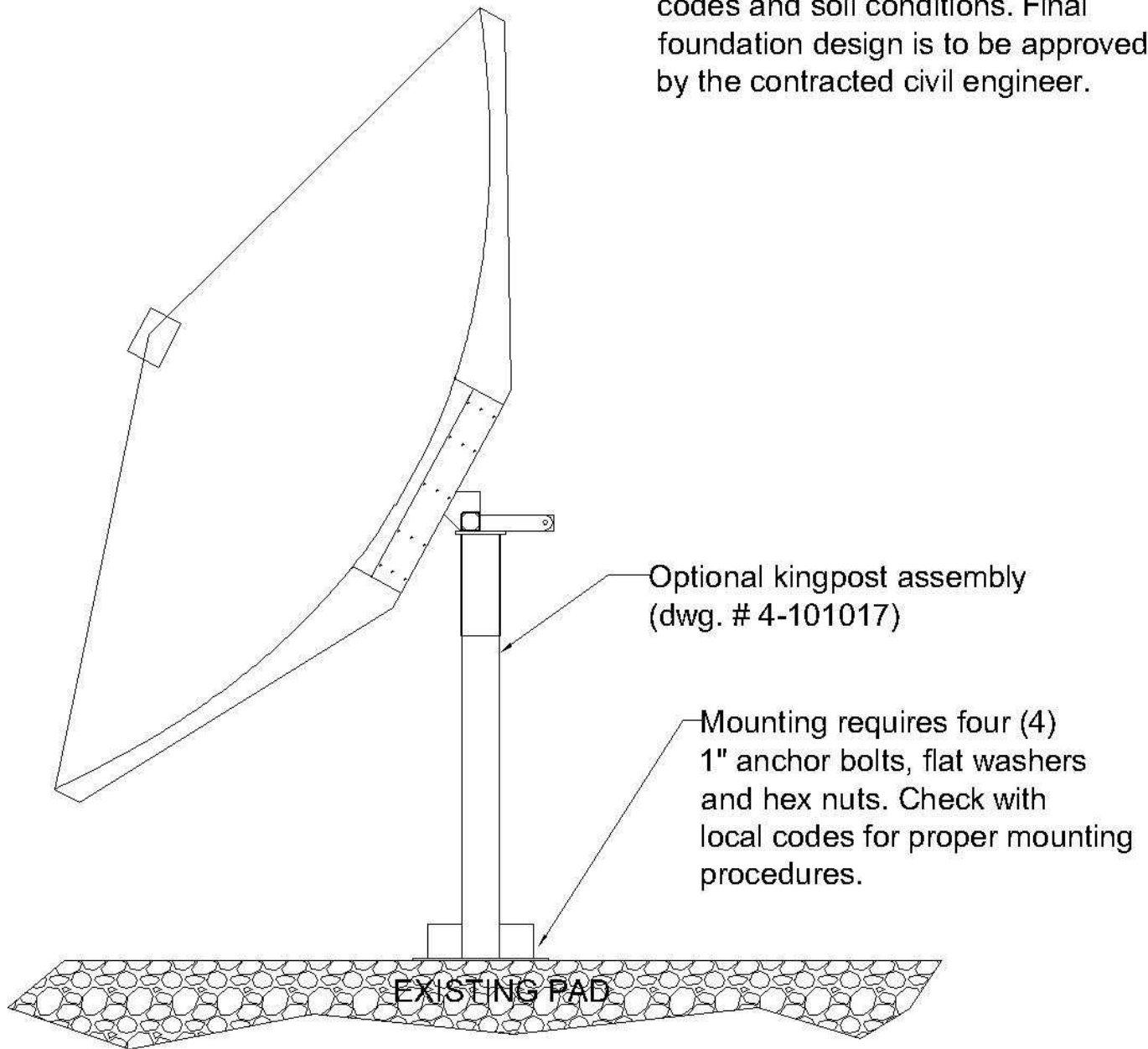


Proper foundation selection is the responsibility of the customer. Information contained herein is for reference only. Consult with a certified civil engineer for local codes and soil conditions. Final foundation design is to be approved by the contracted civil engineer.



<i>AMERICAN ANTENNA INC.</i> 219-985-4000 <i>www.americanantenna.com</i>	DRAWN: TJV	Suggested 4m Foundation (existing pad)
	DATE: 5/29/08	
	REV:	DWG. NO. 4-101021