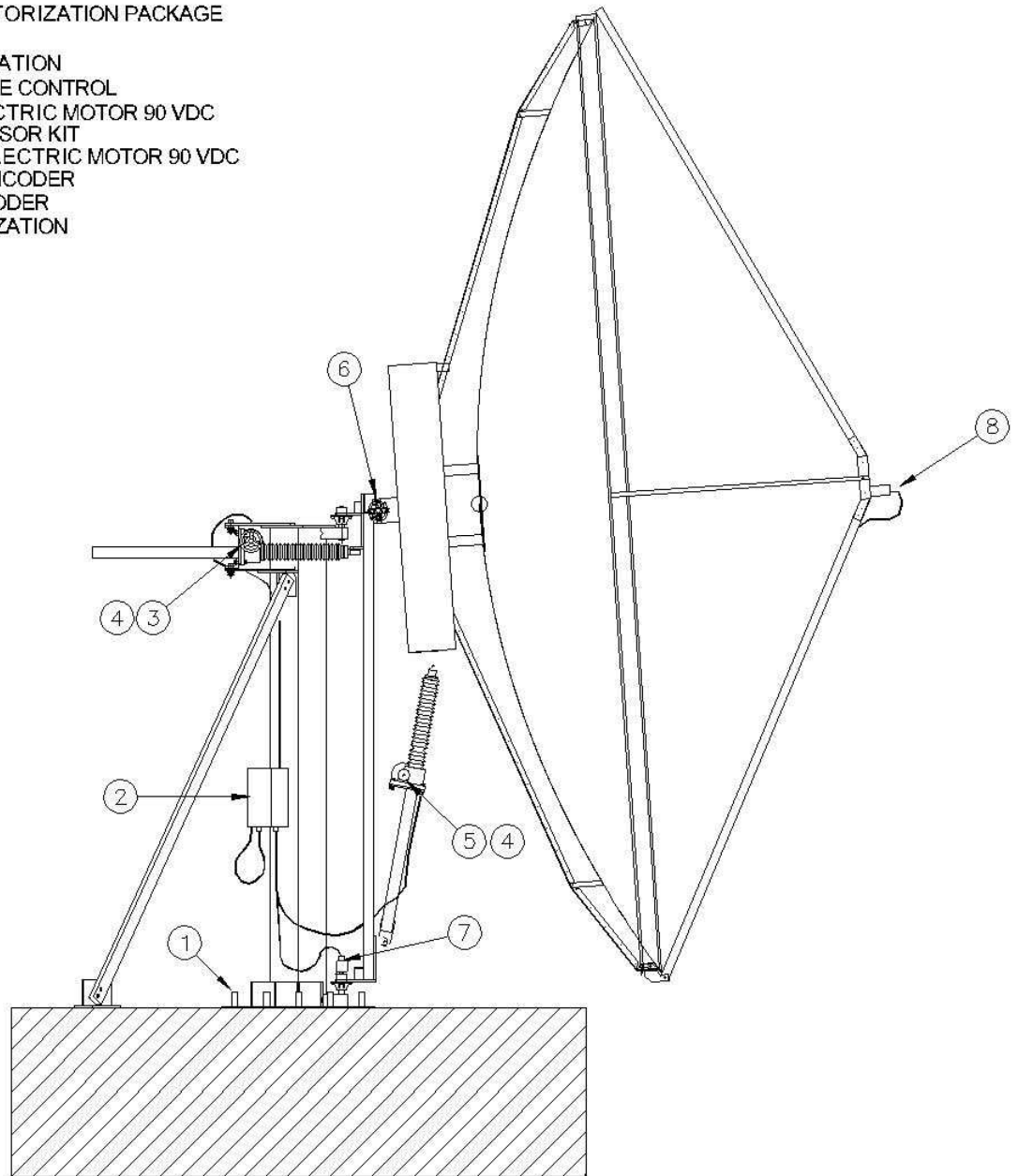


1. ANCHOR KIT
2. ANTENNA MOTORIZATION PACKAGE  
A.I.U. SHOWN.  
- FULL MOTORIZATION  
- LOCAL REMOTE CONTROL
3. AZIMUTH ELECTRIC MOTOR 90 VDC
4. POSITION SENSOR KIT
5. ELEVATION ELECTRIC MOTOR 90 VDC
6. ELEVATION ENCODER
7. AZIMUTH ENCODER
8. FEED MOTORIZATION



AMERICAN ANTENNA INC. 219-985-4000 www.americanantenna.com	
DRAWN: TJV	ANTENNA OPTIONS FOR
DATE: 05/29/08	PROFESSIONAL BROADCAST SERIES
REV	DWG. NO. 6-100269