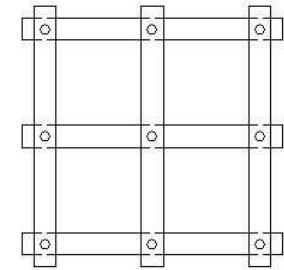
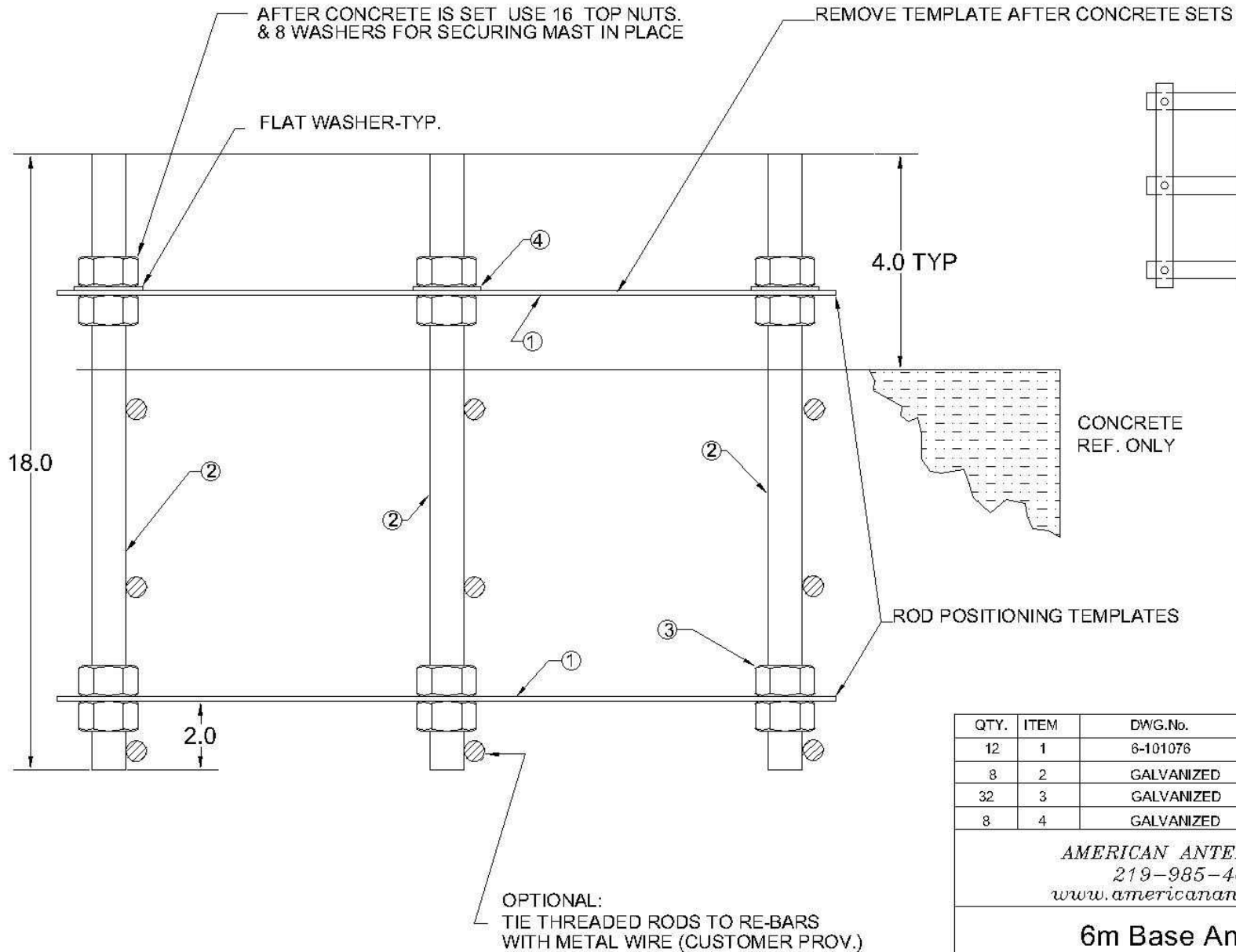


REVISED: 10-2-03
Removed bottom flat washers.

NOTE: DRAWING FOR REFERENCE ONLY, NOT TO SCALE.



REF. DWG.  
# 6-101076

QTY.	ITEM	DWG.No.	DESCRIPTION
12	1	6-101076	TEMPLATE PLATE
8	2	GALVANIZED	1"-8 UNC THREADED ROD
32	3	GALVANIZED	1"-8 UNC HEX NUT
8	4	GALVANIZED	1" FLAT WASHER

AMERICAN ANTENNA INC.  
219-985-4000  
www.americanantenna.com

### 6m Base Anchoring Method

DRAWN: TJV	DWG. NO. 6-101078
DATE: 05/29/08	
REV	