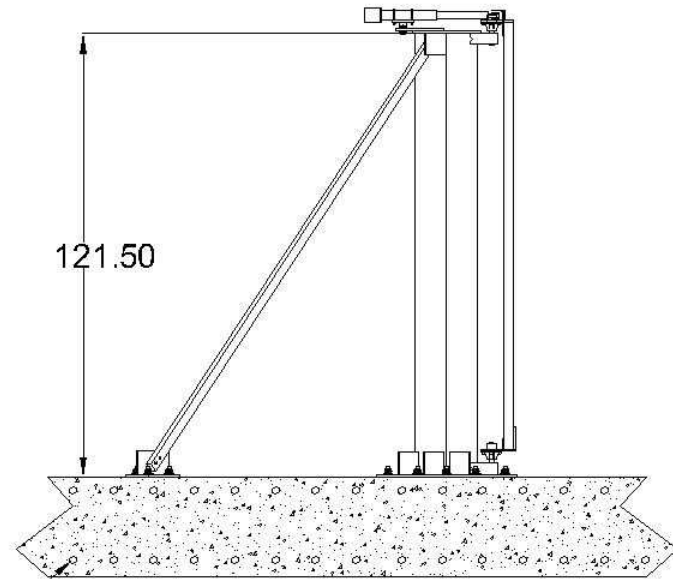
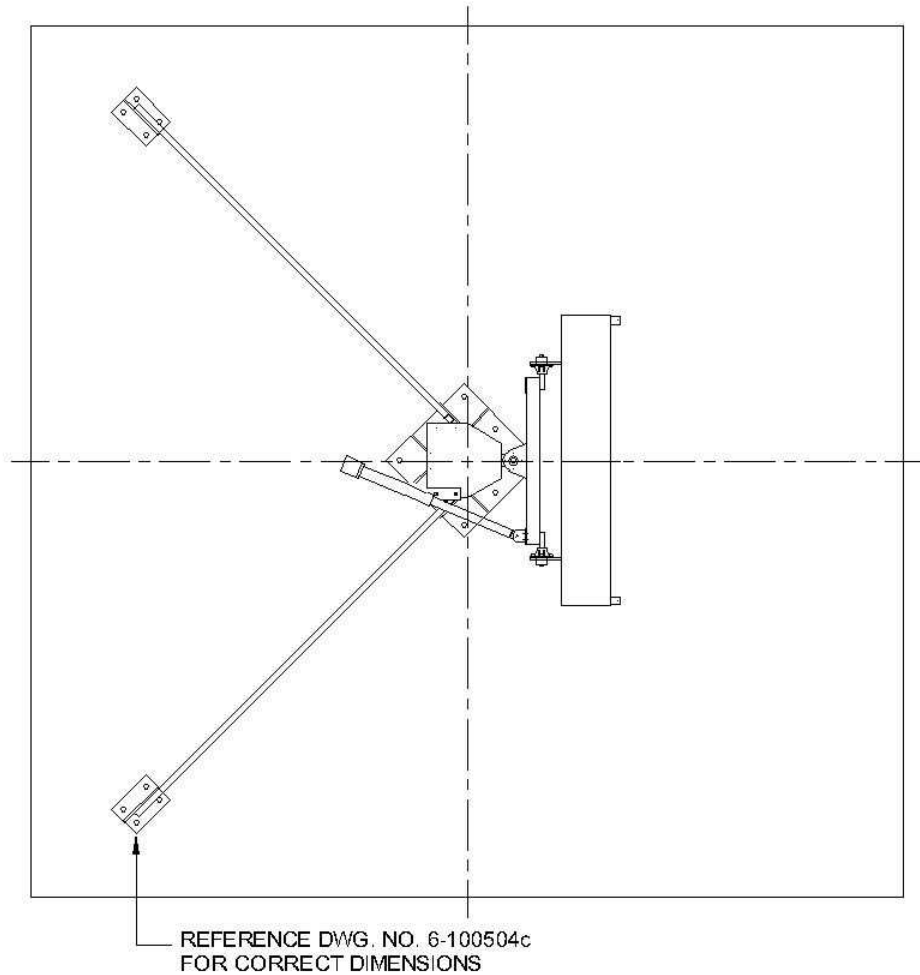


**CAUTION:**

Azimuth range is 125 degrees. 65 degrees west and 60 degrees east. Proper orientation of foundation is critical.



NOTES:

1. MINIMUM PAD DEPTH OF 30" SHOULD BE INCREASED AS REQ'D TO REACH MAX. FROST DEPTH.
2. CONCRETE: 4000 PSI @ 28 DAYS.

#6 Rebars @ 10" C-C Spacing  
w/ 2" Concrete Cover at Top  
and 3" Cover at Bottom.

<p><i>AMERICAN ANTENNA INC.</i> 219-985-4000 <a href="http://www.americanantenna.com">www.americanantenna.com</a></p>	
DRAWN: TJV	<p><b>6.1m Foundation Overview</b></p>
DATE: 05/29/08	
REV:	<p>DWG. NO. <b>6-101080</b></p>