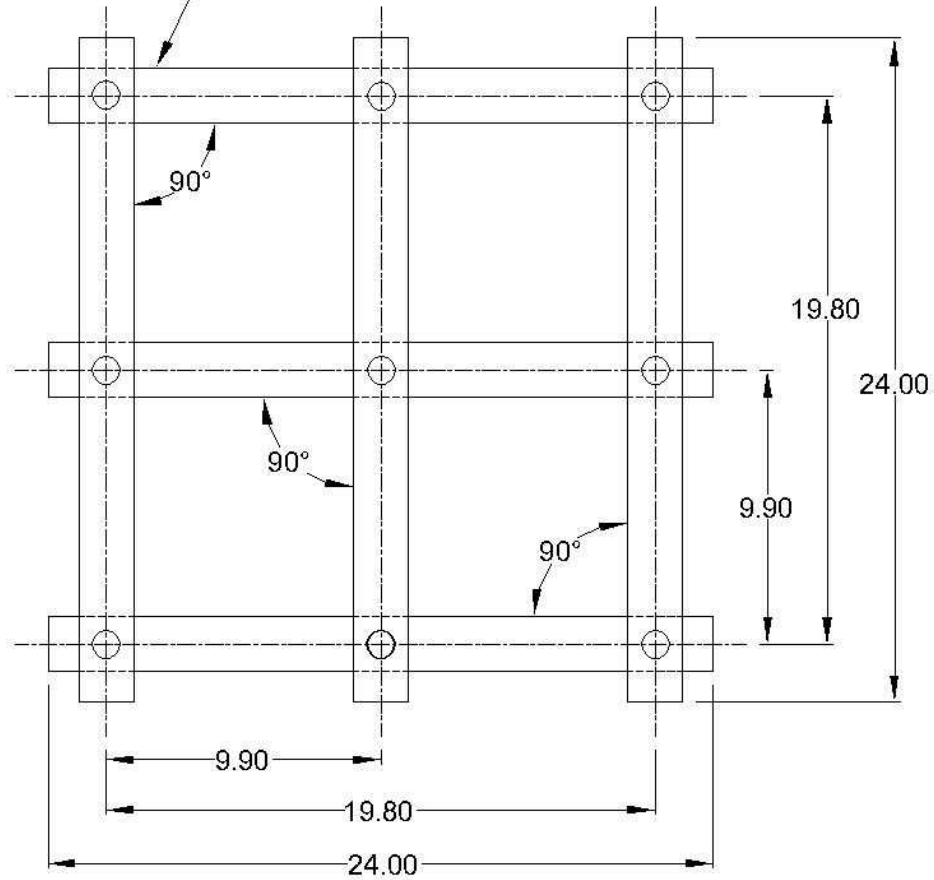


NOTE: 2 ASSEMBLIES  
REQ'D w/ 6 PIECES  
per ASSEMBLY.



Material: 14 Gauge Steel

6m Mast Base  
Hole Template Assy