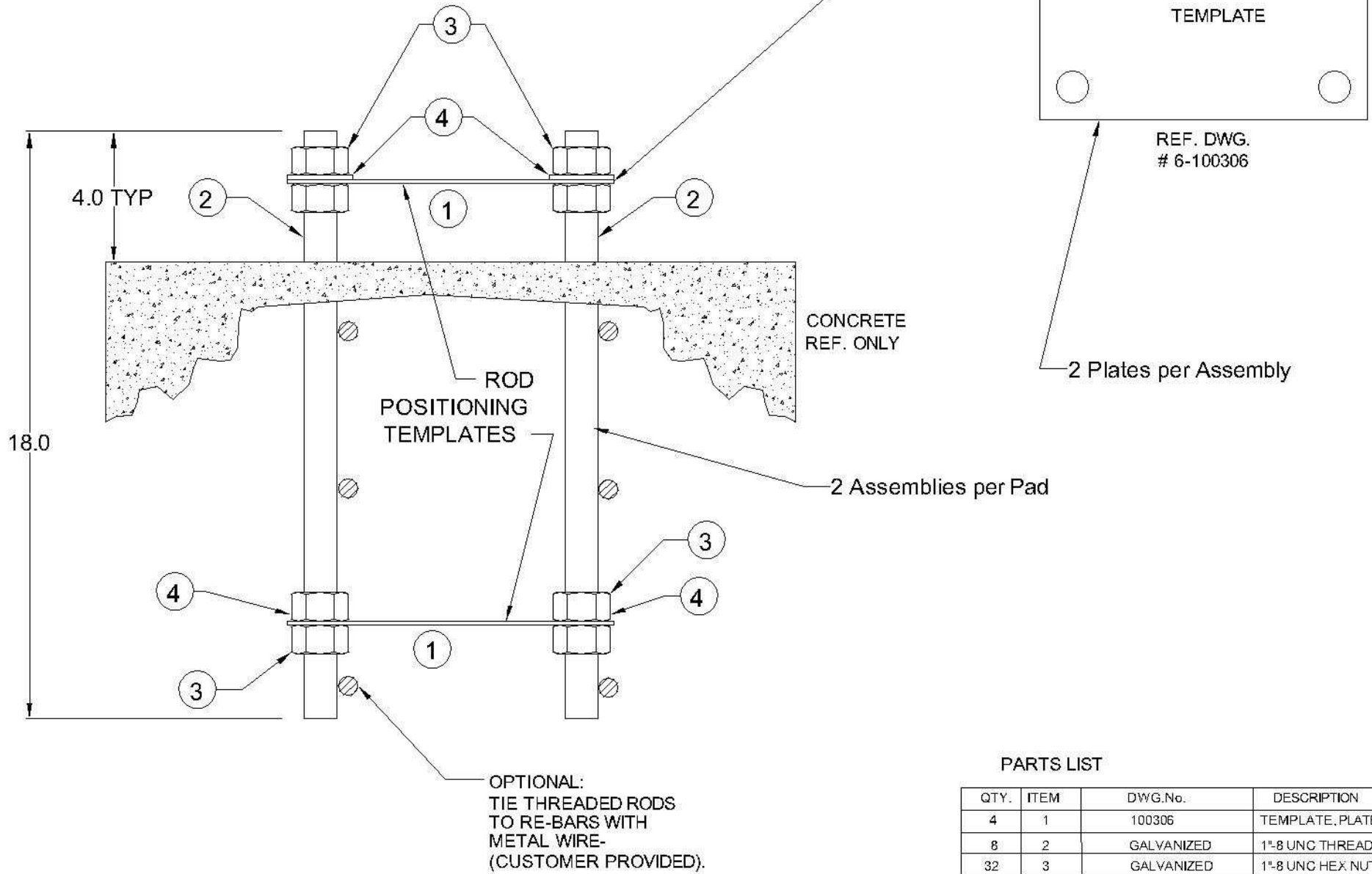


NOTE: DRAWING FOR REFERENCE ONLY, NOT TO SCALE.

NOTE: Remove template after concrete has set.



PARTS LIST

QTY.	ITEM	DWG.No.	DESCRIPTION
4	1	100306	TEMPLATE, PLATE
8	2	GALVANIZED	1"-8 UNC THREADED ROD
32	3	GALVANIZED	1"-8 UNC HEX NUT
8	4	GALVANIZED	1" FLAT WASHER

BASE LEG ANCHOR KIT